



ANCHOR WINCHES

Exclusively manufactured by J.K. Fabrication, Inc.

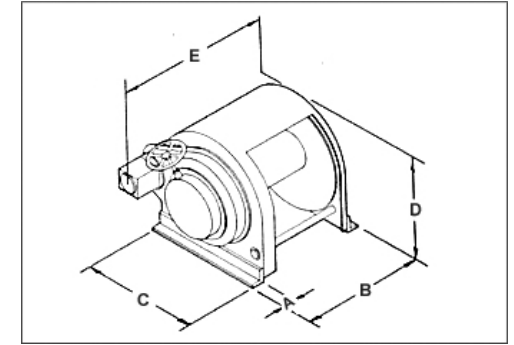
J.K. Fabrication, Inc.

3101 W. Commodore Way, Bldg. #3, Seattle, WA 98199

Tel: 206-297-7400

Fax: 206-297-1300

www.nordicmachine.com



DIAMETER X WIDTH	LINE CAP (DIA ")	LINE CAP (FT)	CHAIN (DIA ")	CHAIN (FT)	FULL DRUM PULL (LBS)	ANCHOR MAX (LBS)	WT. (LBS)	A"	B"	C"	D"	E"
12-12 D	3/8	350	3/8	45	700	105	155	2	18.5	14	14.5	25.25
15-15 D	3/8	780	3/8	45	510	105	205	2	21.5	17	17.5	28.25
18-15	5/8	450	1/2	55	1,244	240	315	2	21.5	22	21	32
18-20	5/8	600	1/2	75	1,244	240	360	2	26.5	22	21	37
20-15	5/8	450	5/8	50	1,120	224	400	2	21.5	24	23	32
20-22	3/4	440	5/8	70	1,120	224	450	2	28.5	24	23	39
24-15	3/4	420	5/8	65	995	185	475	2	21.5	26	27	32
26-20 R	3/4	670	3/4	75	2,425	480	650	3	29	28	29	40
28-20 R	3/4	760	3/4	85	2,250	450	700	3	29	30	31	40
26-20 C	3/4	670	3/4	75	1,900	380	900	3	29	28	29	45.5
28-20 C	3/4	760	3/4	85	1,765	350	1,000	3	29	30	32	45.5
32-22 C	1	645	1	75	3,950	790	1,400	3	32	34	34.5	52
32-24 C	1	705	1	80	3,950	790	1,450	3	34	34	34.5	54
32-26 C	1	765	1	85	3,950	790	1,500	3	36	34	34.5	56
36-30-1500 C	1	1,275	1	114	7,500	1,500	2,100	3	41	38	39	64
40-30-3000 C	1.25	970	1.25	65	15,000	3,000	3,200	4	45	41	52	76

Anchor Winches

Stainless Steel For vessels up to 48 feet
 Galvanized Series For vessels up to 140 feet
 (and Stainless Steel)